

**GÖLZ**

**FS 240 SE**

**GÖLZ GmbH**  
Dommersbach 51  
D-53940 Hellenthal-Blumenthal  
Phone: (02482) 120  
Telefax: (02482) 12135

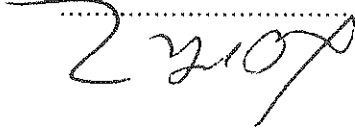
## ***CE-Declaration of Conformity***

We declare, the product

**Name:** FLOOR SAW  
**Manufacturer:** GÖLZ  
**Type:** FS 240 SE  
**Serial number:** \_\_\_\_\_

is in conformity with the Directive 98/37/EC, 89/336/EWG i.d.F.  
93/68/EWG, 2000/14/EC as well as with the standards  
EN 13862:2001, EN 13309:2000, EN ISO 3744:1995 and  
EN 61000.

April, 07<sup>th</sup> 2004

  
Chief designer

# 1. Basic informations

## 1.1 The operating instruction

Thanks for choosing a GÖLZ-product. This operating instruction is designed to familiarize the user with the machine and its designated use.

The operating instruction contains important information on how to operate the machine safely, properly and most efficiently. Observing these instructions helps to avoid danger, to reduce repair costs and downtimes and to increase the reliability and life of the machine.

The operating instruction is to be supplemented by the respective national rules and regulations for accident prevention and environmental protection.

The operating instruction must always be available wherever the machine is in use.

This operating instruction must be read and applied by any person in charge of work with or on the machine, such as:

**Operation** including setting up, troubleshooting in the course of work, evacuation care and disposal of fuels and consumables.

**Maintenance** (servicing, inspection, repair) and/or

**Transport**

In addition to the operating instructions and to the mandatory rules and regulations for accident prevention and environment protection of the country and place of use of the machine, the user must also be observed.

## 1.2 Designated use

The floor saw has been built in accordance with state-of-the-art standards and the recognized safety rules. Nevertheless, its use may constitute a risk to life and limb of the user or of third parties, or cause damage to the floor saw and to other material property.

The floor saw must only be used in technical perfect condition in accordance with its designated use and the instructions set out in the operating instruction, and only by safety-conscious persons who are fully aware of the risks involved in operating the floor saw. Any functional disorders, especially those affecting the safety of the floor saw, should therefore be rectified immediately!

The floor saw is designed exclusively for linear cutting in concrete, reinforced concrete and asphalt. Using the floor saw for purposes other than those mentioned (such as cutting in wood and so on) is considered contrary to its designated use. The manufacturer cannot be held liable for any damage resulting from such use. The risk of such misuse lies entirely with the user!

Operating within limits of its designated use also involves observing the instructions set out in the operating instruction and complying with the inspection and maintenance directives!

- The operating instructions must always be at hand at the place of use of the machine, e. g. by stowing them in the tool compartment or tool-box provided for such purpose!
- In addition to the operating instructions, observe and instruct the user in all other generally applicable legal and other mandatory regulations relevant to accident prevention and environmental protection!
- These compulsory regulations may also deal with the handling of hazardous substances, issuing and/or wearing of personal protective equipment!
- The operating instructions must be supplemented by instructions covering the duties involved in supervising and notifying special organizational features, such as job organization, working sequences or the personnel entrusted with the work!
- Personnel entrusted with work on the machine must have read the operating instructions and in particular the chapter on safety before beginning work. Reading the instructions after work has begun is too late. This applies especially to persons working only occasionally on the machine, e. g. during setting up or maintenance!
- Check - at least from time to time - whether the personnel is carrying out the work in compliance with the operating instructions and paying attention to risks and safety factors!
- For reasons of security, long hair must be tied back or otherwise secured, garments must be close-fitting and no jewellery - such as rings - may be worn. Injury may result from being caught up in the machinery or from rings catching on moving parts!
- Use protective equipment wherever required by the circumstances or by law!
- Observe all safety instructions and warnings attached to the machine!
- See to it that safety instructions and warnings attached to the machine are always complete and perfectly legible!
- In the event of safety-relevant modifications or changes in the behaviour of the machine during operation, stop the machine immediately and report the malfunction to the competent authority/person!
- Never make any modifications, additions or conversions which might affect safety without the supplier's approval. This also applies to the installation and adjustment of safety devices and valves as well as to welding work on load-bearing elements!
- Spare parts must comply with the technical requirements specified by the manufacturer. Spare parts from original equipment manufacturers can be relied to do so!
- Replace hydraulic hoses within stipulated and appropriate intervals even if no safety-relevant defects have been detected!

- Operate the machine only if all protective and safety-oriented devices, such as removable safety devices, emergency shut-off equipment, soundproofing elements and exhausters, are in place and fully functional!
  - Check the machine at least once per working shift for obvious damage and defects. Report any changes (incl. changes in the machine's working behaviour) to the competent organization/person immediately. If necessary, stop the machine immediately!
  - In the event of malfunctions, stop the machine immediately. Have any defects rectified immediately!
  - Before starting up or setting the machine in motion, make sure that nobody is at risk!
  - Before setting the machine in motion always check that the any accessories have been safely stowed away!
  - Avoid any operation that might be a risk to machine stability!
  - Before leaving the machine secure it against inadvertent movement and unauthorized use!
- Special work in conjunction with utilization of the machine and maintenance and repairs during operation; disposal of parts**
- and consumables**
- Observe the adjusting, maintenance and inspection activities and intervals set out in the operating instructions, including information on the replacement of parts and equipment. These activities may be executed by skilled personnel only!
  - Brief operating personnel before beginning special operations and maintenance work, and appoint a person to supervise the activities!
  - In any work concerning the operation, conversion or adjustment of the machine and its safety-oriented devices or any work related to maintenance, inspection and repair, always observe the start-up and shutdown procedures set out in the operating instructions and the information on maintenance work!
  - Ensure that the maintenance area is adequately secured!
  - If the machine is completely shut down for maintenance and repair work, it must be secured against inadvertent starting by: locking the principal control elements and/or attaching a warning sign to the main switch!
  - Carry out maintenance and repair work only if the machine is positioned on stable and level ground and has been secured against inadvertent movement and buckling!

- The electrical equipment of machines is to be inspected and checked at regular intervals. Defects such as loose connections or scorched cables must be rectified immediately!
- Necessary work on live parts and elements must be carried out only in the presence of a second person who can cut off the power supply in case of danger by actuating the emergency shut-off or main power switch. Secure the working area with a red-and-white safety chain and a warning sign. Use insulated tools only!

### Gas, dust, steam and smoke

- Carry out welding, flame-cutting and grinding work on the machine only if this has been expressly authorized, as there may be a risk of explosion and fire!
- Before carrying out welding, flame-cutting and grinding operations, clean the machine and its surroundings from dust and other inflammable substances and make sure that the premises are adequately ventilated (risk of explosion)!

### Hydraulic and pneumatic equipment

- Work on hydraulic equipment may be carried out only by persons having special knowledge and experience in hydraulic systems!
- Check all lines, hoses and screwed connections regularly for leaks and obvious damage. Repair damage immediately. Splashed oil may cause injury and fire!
- Depressurize all system sections and pressure pipes (hydraulic system, compressed-air system) to be removed in accordance with the specific instructions for the unit concerned before carrying out any repair work!
- Hydraulic and compressed-air lines must be laid and fitted properly. Ensure that no connections are interchanged. The fittings, lengths and quality of the hoses must comply with the technical requirements!

### Noise

- Always wear the prescribed ear protectors!

### Oil, grease and other chemical substances

- When handling oil, grease and other chemical substances, observe the product-related safety regulations!
- Be careful when handling hot consumables (risk of burning or scalding)!

### Transporting and towing

- The machine must be towed, loaded and transported only in accordance with the operating instructions!
- Use only appropriate means of transport and lifting gear of adequate capacity!

### 3. Description

#### 3.1 Technical data

Dismountable electrically driven floor saw for professional applications. Suitable for cutting concrete, reinforced concrete and asphalt.

The floor saw is dismountable into pieces thus enabling transport on stairways and through skylights. The electric motor is detachable by quick change system. The push bows are adjustable and the blade guard is pluggable and divisible.

In connection with **GÖLZ**-diamond blades this floor saw represents a maximum of quality and performance.

<b>Engine:</b>	3-phase Electric Motor, 400 V, 50 Hz, 16 A
<b>Power:</b>	7.5 kW (10 HP)
<b>Engine speed:</b>	1500 rpm
<b>Blade shaft speed:</b>	1500 rpm
<b>Max. cutting speed:</b>	47 m/s
<b>Max. blade size:</b>	600 mm - 23.6 "
<b>Flange size:</b>	120 mm - 4.275 "
<b>Blade shaft size:</b>	25.4 mm - 1 "
<b>Max. cutting depth:</b>	240 mm - 9.42 "
<b>Cutting depth selector:</b>	Crank handle
<b>Feed:</b>	Manually
<b>Water supply:</b>	Connection for external water supply
<b>Weight:</b>	160 kg - 352.7 lbs
<b>Length:</b>	840 mm - 33 "
<b>Width:</b>	670 mm - 26.38 "
<b>Height:</b>	600 mm - 23.62 "
<b>Vibration</b>	$a = 3.7 \text{ m/s}^2$
<b>ISO 5349 VDIMA 03/2006:</b>	
<b>Sound power level (DIN ISO 6393):</b>	No load = 100 dB (A) Full load = 119 dB (A)
<b>Sound pressure level (DIN ISO 6393):</b>	No load = 80 dB (A) Full load = 100 dB (A)

## 4. Transport and storing

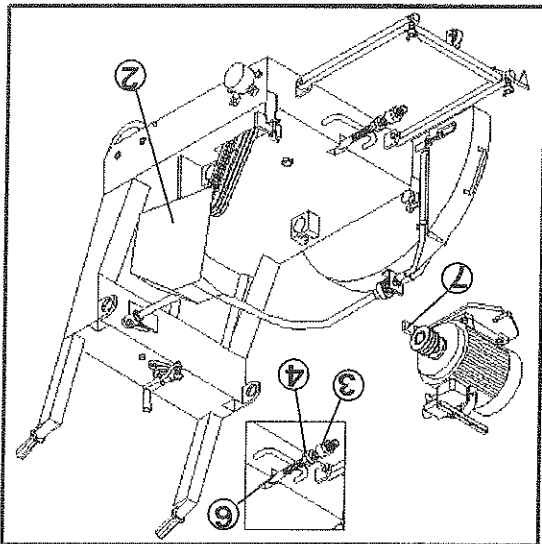
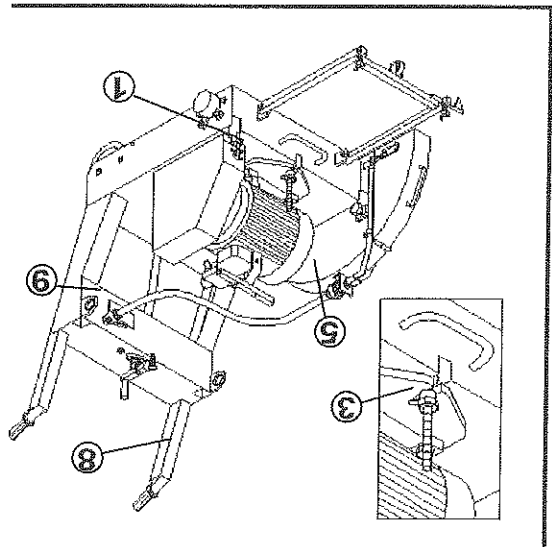
**Secure boards and floor saw on the loading area!**



**Danger of down coming parts!**



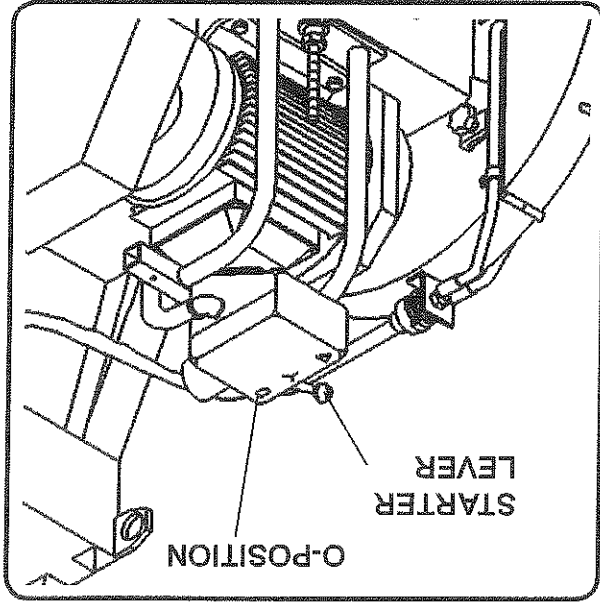
### 4.1 Transport



Before transporting dismount the blade and lower the floor saw until to the stop. Use boards for load and unloading on a truck. Secure the floor saw on the loading area. Fasten a lifting device (tensile strength 1500 kg (3307 lbs.)) to the eyebolts when loading and unloading with an crane. For single transportation the electric motor is detachable by a quick change system. Open the locking (1) of the V-belt guard (2) clap it backwards. Loosen the counter nut WS 24 (3) of the spindle (6) and screw down the tension nut WS 24 (4) until the V-belts are detachable. Pull out the push bows (8) and push them over the carrying bow (5). Secure with the pinch pins and lower the electric motor. Now the locking (7) is free and the electric motor is detachable. Remount in opposite order and check V-belts for correct tension (see chapter maintenance).

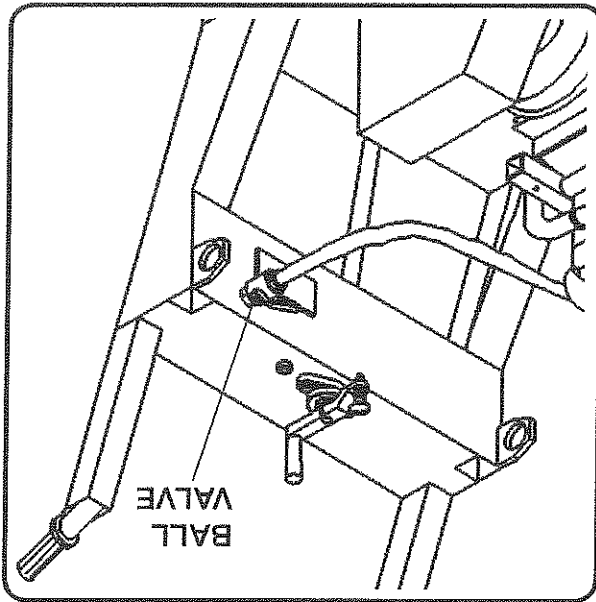
### 4.2 Storing

Store the floor saw in a dry, high or locked place, out of the reach of children or unauthorized persons. Clean and preserve the floor saw with corrosion preventive if storing over a longer time like winter time!



**5.4 Power supply**

Check the electrical condition, input voltage 400 V/50 Hz. The used power supply must comply with the regulations of power distribution on building sites (fuse protection over FI-protected switch). Completely uncoil extension cables. The starter lever must be in 0 position. Insert in the mains plug.



**5.3 Water supply**

Connect the external water supply to the GEA-coupler at the left side of the tending side. The ball valve should be closed.



Operate with even feed. The electric motor will overstress and the floor saw might rise out of cut if the feed is too high. The segments will become dull if the feed is too low.

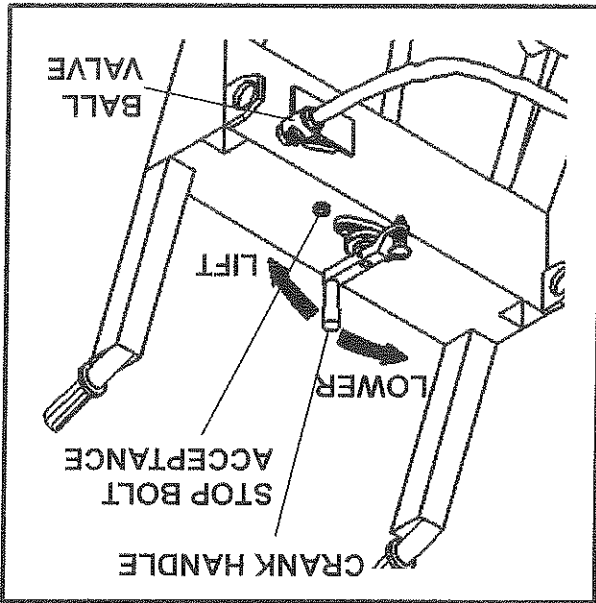


*Operating with too high feed the floor saw might rise out of cut!*

**6.4 Feed**

Open the ball valve and turn the crank handle counterclockwise. Lower the floor saw to the desired cutting depth and latch the crank handle in one of the two stop-bolt acceptances.

**6.3 Setting cutting depth**



**6.3 Setting cutting depth**

## 8. Maintenance

Spare parts must comply with the technical requirements specified by the manufacturer. Spare parts from GÖLZ can be relied to do so! Observe the following indications:

*Cut off electric motor and pull mains plug before maintenance, repair or inspection. Place floor saw on stand and secure it against fall down. Work on the electrical system or equipment may only be carried out by a skilled electrician!*



### 8.1 General

After cutting clean the floor saw and check the floor saw and specially the blade for damages. Necessary repairs must be carried out immediately (see spare parts list).


### 8.2 Lubrication chart

Grease the bearings of the blade shaft, cutting depth selector and the undercarriage every 20-30 working hours with heat resistance fat. Clean periodically lose parts like pointer unit and wheels and grease them with some drops of oil.

### 8.3 Electric motor

To prevent overheating clean periodically the ventilator cowl and the cooling ribs.

# 9. Troubleshooting

PROBLEM	CAUSE	REMEDY
<ul style="list-style-type: none"> <li>• Electric motor does not operate!</li> </ul>	 <p>Mains plug not connected! Fuse of power distribution on building sites has been released! Matfunction of electrical installation! The electrical installation must be checked only by an electrician!</p>	<p>Check connection!</p> <p>Check fuses!</p>
		<p>Lowering</p>
<ul style="list-style-type: none"> <li>• Floor saw does not fully lower!</li> </ul>	<p>Dull diamond blade! Faulty gas pressure spring!</p>	<p>Sharpen or use softer diamond blade!</p> <p>Replace!</p>
		<p>Cutting</p>
<ul style="list-style-type: none"> <li>• Floor saw rises out of cut!</li> </ul>	<p>Damaged centering of the blade shaft! Warped blade shaft!</p>	<p>Replace blade shaft!</p>
		<p>Non circular abrasion of the diamond blade!</p>