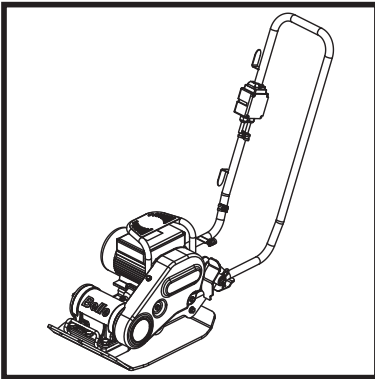




BELLE PCEL 400E

870/10017/2
08/17



- Spare Parts Book
- Pièces Détachées
- Onderdelen Boekje
- Reservelele Skrift
- Ersatzteilhandbuch
- Manuale dei Ricambi
- Bruksanvisning
- Varaosaluettelo
- Lista Części Zamiennych
- Запасные Части Книга
- Varuosade Nimekiri
- Rezerves Daļu Saraksts
- Atsarginiu Daliu Sarašas

136

(GB) Operators Manual	6
(F) Manuel De L'Opérateur	16
(NL) Handleiding	26
(DK) Betjeningsvejledning	36
(D) Bedienungshandbuch	46
(I) Manuale Dell'Operatore	56
(S) Bruksanvisning	66
(SF) Käyttöohje	76
(PL) Instrukcja Obsługi	86
(RUS) Руководство для оператора	96
(EST) Kasutusjuhend	106
(LV) Lietotāja rokasgrāmata	116
(LT) Naudojimo Instrukcija	126

EC DECLARATION OF CONFORMITY / DECLARATION CE DE CONFORMITE / DECLARACIÓN DE CONFORMIDAD CE / DECLARAÇÃO CE DE CONFORMIDADE / EG-VERKLARING VAN OVERENSTEMMING / EF OVERENSSTEMMELSESERKLÆRING



We, **Belle Group Sheen UK, Sheen, Nr. Buxton, Derbyshire, SK17 0EU, GB**, hereby certify that if the product described within this certificate is bought from an authorised Belle Group dealer within the EEC, it conforms to the following EEC directives: 2006/42/CE (This directive replaces directive 98/37/EC), Electromagnetic Compatibility Directive 2004/108/CE (as amended by 89/336/EEC, 92/31/EEC & 93/68 EEC). The Waste Electrical and Electronic Equipment (WEEE) 2002/96/CE, the low voltage directive 2006/95/CE, BS EN ISO 12100-1:2003 Safety of machinery and associated harmonised standards, where applicable. Noise emissions conform to directives 2000/14/EC Annex VI & 2005/88/EC, for machines under article 12 the notified body is **AVT Reliability, Unit 2 Easter Court, Europa Boulevard, Warrington, Cheshire, WA5 7ZB, GB**.
Noise Technical files are held by Ray Neilson at the Belle group Head Office address which is stated above.



Nous soussignés, **Belle Group Sheen UK, Sheen, Nr. Buxton, Derbyshire, SK17 0EU, GB**, certifions que si le produit décrit dans ce certificat est acheté chez un distributeur autorisé Belle Group au sein de la CEE, il est conforme aux normes CEE ci-après: 2006/42/CE (Cette norme remplace la norme 98/37/CE), Norme compatible pour l'électromagnétisme 2004/108/CE (modifié par 89/336/EEC, 92/31/EEC & 93/68 EEC). Les déchets électriques, et d'équipement électronique 2002/96/CE, caractéristiques basse tension 2006/95/CE, BS EN ISO 12100-1:2003 Norme de sécurité des machines et des critères associés et configurés, si applicable. Les émissions de bruit sont conformes à la directive 2000/14/EC Annexe VI et 2005/88/EC pour machines, article 12, l'objet mentionné est **AVT Reliability, Unit 2 Easter Court, Europa Boulevard, Warrington, Cheshire, WA5 7ZB, GB**.
Les fichiers techniques des émissions sonores sont détenus par Ray Neilson à l'adresse du Siège du Groupe Belle qui est indiqué ci-dessus.



La Sociedad, **Belle Group Sheen UK, Sheen, Nr. Buxton, Derbyshire, SK 17 0EU, GB**, por el presente documento certifica que si el producto descrito en este certificado es comprado a un distribuidor autorizado de Belle Group en la CEE, este es conforme a las siguientes directivas: 2006/42/CE de la CEE (Esta directiva sustituye a la Directiva 98/37/CE), Directiva 2004/108/CE sobre Compatibilidad Electromagnética (según enmiendas 89/336/EEC, 92/31/EEC & 93/68 EEC). Los residuos eléctricos y electrónicos (RAEE) 2002/96/CE, Directiva sobre Bajo Voltaje 2006/95/CE, BS EN ISO 12100-1:2003 de Seguridad de Maquinaria y Niveles armonizados estándares asociados donde sean aplicables. Emisión de Ruidos conforme a la Directiva 2000/14/CE Anexo VI y 2005/88/EC para máquinas bajo artículo 12 la mencionada unidad está en **AVT Reliability, Unit 2 Easter Court, Europa Boulevard, Warrington, Cheshire, WA5 7ZB, GB**.
Archivos de ruido técnicos están en manos de Ray Neilson en la dirección del grupo Belle Sede de la que se ha dicho.



O signatário, **Belle Group Sheen UK, Sheen, Nr. Buxton, Derbyshire, SK 0EU, GB**, pelo presente, declara que se o produto descrito neste certificado foi adquirido a um distribuidor autorizado do Belle Group em qualquer país da UE, está em conformidade com o estabelecido nas seguintes diretivas comunitárias: 2006/42/CE (Esta directiva substitui a Directiva 98/37/CE), Directiva de Compatibilidade Electromagnética 2004/108/CE (conforme corrigido pelas 89/336/EEC, 92/31/EEC & 93/68 EEC). O Eléctrico de Desperdiço e Equipamento Eléctrico (DEEE) 2002/96/CE, a directiva de baixa voltagem 2006/95/CE, BS EN ISO 12100-1:2003 Segurança da maquinaria e às normas harmonizadas afins se aplicáveis. As emissões de ruído respeitam e estão dentro das diretivas para máquinas 2000/14/CE Anexo VI & 2005/88/EC, artigo 12, sendo o organismo notificado **AVT Reliability, Unit 2 Easter Court, Europa Boulevard, Warrington, Cheshire, WA5 7ZB, GB**.
Arquivos de ruído técnicos são detidos por Ray Neilson no endereço Escritório Belle grupo Cabeça que é dito acima.

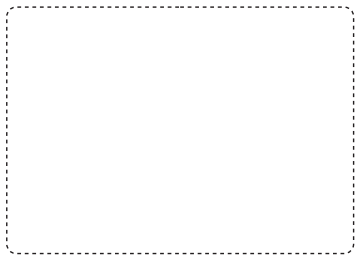


Ondergetekende, **Belle Group Sheen UK, Sheen, Nr. Buxton, Derbyshire, SK17 0EU, GB**, verklaren hierbij dat als het product zoals beschreven in dit certificaat is gekocht van een erkende Belle Group dealer binnen de EEG, het voldoet aan de volgende EEC richtlijnen: 2006/42/CE (Deze richtlijn vervangt Richtlijn 98/37/EC), Electromagnetische Compatibiliteit Richtlijn 2004/108/CE (geamendeerd door 89/336/EEC, 92/31/EEC & 93/68 EEC). De afgedankte elektrische en elektronische apparatuur (AEEA) 2002/96/CE, de Laagspannings Richtlijn 2006/95/CE, BS EN ISO 12100-1:2003 Veiligheid van Machines, en hieraan gekoppelde geharmoniseerde Standaarden, waar deze van toepassing is. Geluidshinder te voldoen aan de richtlijnen 2000/14/EG en 2005/88/EG bijlage VI, voor toestel onder stuk 12 naar de notified troep zit **AVT Reliability, Unit 2 Easter Court, Europa Boulevard, Warrington, Cheshire, WA5 7ZB, GB**.
Lawaai Technische dossiers zijn in handen van Ray Neilson op de Belle groep hoofdkantoor adres, dat staat boven.



Vi, **Belle Group Sheen UK, Sheen, Nr. Buxton, Derbyshire, SK17 0EU, GB**, erklærer hermed, at hvis det i dette certifikat beskrevne produkt er købt hos en autoriseret Belle Group forhandler i EU, er det i overensstemmelse med følgende EØF-direktiver: 2006/42/CE (Dette direktiv erstatter direktiv 98/37/EF), 2004/108/EØF (som ændret ved 89/336/EEC, 92/31/EØF & 93/68 EØF), Afald af elektrisk og elektronisk udstyr (WEEE) 2002/96/CE, lavspændingsdirektiv 2006/95/CE, BS EN ISO 12100-1:2003 Maskinsikkerhed og tilhørende harmoniserede standarder, hvor det er relevant. Støjemission i overensstemmelse med direktiverne 2000/14/EF bilag VI og 2005/88/EF, for maskiner under paragraf 12. Det bemyndigede organ er **AVT Reliability, Unit 2 Easter Court, Europa Boulevard, Warrington, Cheshire, WA5 7ZB, Storbritanien**.
Støj Tekniske filer er i besiddelse af Ray Neilson på Belle-gruppen hovedkontoret adresse, som er nævnt ovenfor.

PRODUCT TYPE	TYPE DE PRODUIT.....	TIPO DE PRODUCTO
MODEL	MODELE	MODELO
SERIAL No.....	N° DE SERIE	N° DE SERIE
DATE OF MANUFACTURE.....	DATE DE FABRICATION	FECHA DE FABRICACIÓN.....
SOUND POWER LEVEL MEASURED /	NIVEAU DE PUISSANCE SONORE MESUREE /	NIVEL DE POTENCIA ACÚSTICA MEDIDO /
.....(GUARANTEEED)(GARANTIE)(GARANTIZADO)
WEIGHT	POIDS	PESO
TIPO DE PRODUCTO.....	PRODUCTTYPE.....	PRODUKTTYPE.....
MODELO.....	MODEL.....	MODEL.....
NO. DE SERIE.....	SERIENUMMER.....	SERIENR.....
DATA DE FABRIC.....	FABRICAGEDATUM.....	FREMSTILLINGSDATO.....
NIVEL DE POTÊNCIA DE SOM MEDIDO /	GEMETEN GELUIDSSTERKTE NIVEAU /	LYDEFFEKTNIVEAU MÅLT /
.....(GARANTIDO)(EGARANDEERD)(GARANTERET)
PESO.....	GEWICHT.....	VÆGT.....



Signed by:
Signature:
Medido por:
Assinado por:
Getekend door:
Underskrevet af:

Ray Neilson

Managing Director - On behalf of BELLE GROUP (SHEEN) UK.
Le Directeur Général - Pour le compte de la SOCIETE BELLE GROUP (SHEEN) UK.
Director Gerente - En nombre de BELLE GROUP (SHEEN) UK.
Director-Geral - Em nome de BELLE GROUP (SHEEN) UK.
Algemeen Directeur - Namens BELLE GROUP (SHEEN) UK.
Administrerende direktør - På vegne af BELLE GROUP (SHEEN) UK.

Place of Declaration - Sheen, Nr. Buxton, Derbyshire, SK17 0EU, UK
Lieu de déclaration - Sheen, Nr. Buxton, Derbyshire, SK17 0EU, UK
Declaración hecha en - Sheen, Nr. Buxton, Derbyshire, SK17 0EU, UK
Lugar de Declaração - Sheen, Nr. Buxton, Derbyshire, SK17 0EU, UK
Plaats van de Verklaring - Sheen, Nr. Buxton, Derbyshire, SK17 0EU, UK
Sted i erklæring - Sheen, Nr. Buxton, Derbyshire, SK17 0EU, UK

Date of Declaration - 2013.....
Date de déclaration - 2013.....
Fecha de la declaración - 2013.....
Data da Declaração - 2013.....
Datum van de verklaring - 2013.....
Dato for erklæringen - 2013.....



How To Use This Manual

This manual has been written to help you operate and service the 'PCEL 400E' Plate compactor safely. This manual is intended for dealers and operators of the 'PCEL 400E' Plate compactor .

Foreword

The '**Machine Description**' section helps you to familiarise yourself with the machine's layout and controls.

The '**Environment**' section gives instructions on how to handle the recycling of discarded apparatus in an environmentally friendly way.

The '**General Safety**' and '**Health and Safety**' sections explain how to use the machine to ensure your safety and the safety of the general public.

The '**Operating Instructions**' section helps you with the setting up and use of the machine.

The '**Trouble Shooting Guide**' helps you if you have a problem with your machine.

The '**Service & Maintenance**' section is to help you with the general maintenance and servicing of your machine.

The '**Warranty**' Section details the nature of the warranty cover and the claims procedure.

Directives with regard to the notations.

Text in this manual to which special attention must be paid are shown in the following way:



CAUTION

The product can be at risk. The machine or yourself can be damaged or injured if procedures are not carried out in the correct way.



WARNING

The life of the operator can be at risk.



WARNING



WARNING

*Before you operate or carry out any maintenance on this machine **YOU MUST READ and STUDY** this manual.*

KNOW how to safely use the unit's controls and what you must do for safe maintenance. (NB Be sure that you know how to switch the machine off before you switch on, in case you get into difficulty.)

ALWAYS wear or use the proper safety items required for your personal protection. If you have **ANY QUESTIONS** about the safe use or maintenance of this unit, ASK YOUR SUPERVISOR OR CONTACT: **Altrad Belle (UK): +44 (0) 1298 84606**



Contents

How To Use This Manual	6
Warning	6
Machine Description	7
Environment	7
Technical Data	8
Decals.....	9
Safety Instructions.....	10
Health And Safety.....	11
Reasons For Compaction.....	11
Compaction Specification.....	11
Applications	11
Pre-Start Checks	11
Operating Instructions	12
Trouble Shooting Guide	13
Service & Maintenance	14
Warranty	15
Declaration Of Conformity.....	2

Altrad Belle reserves the right to change machine specification without prior notice or obligation.

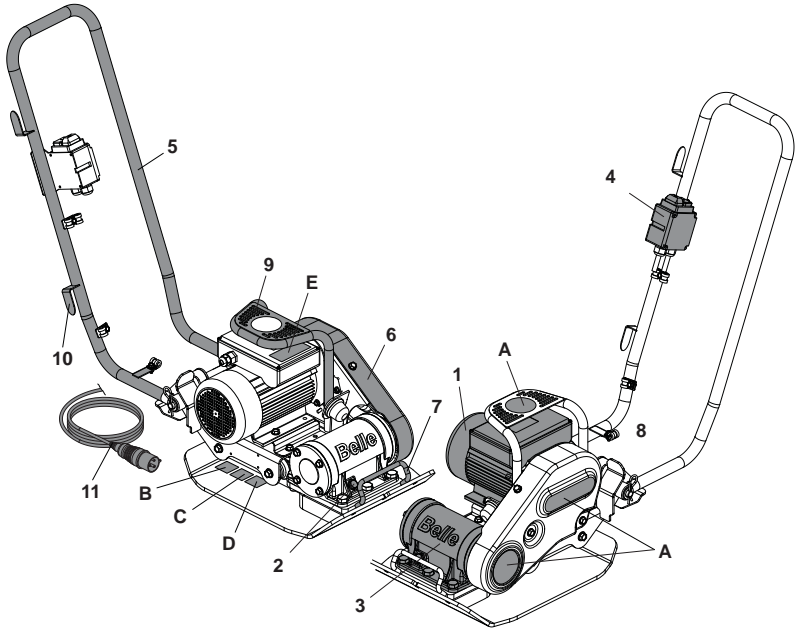
Machine Description



Machine type:
Single Direction
Plate Compactor

1. Electric Motor
2. Vibrator Unit Oil Plug.
3. Vibrator Unit
4. On / Off Switch
5. Operating Handle,
6. Belt Guard,
7. Hand Lifting Point
8. Hand Lifting Point (Strut)
9. Motor Guard
10. Cable Storage Hook
11. Power Cable

DO NOT use a Mechanical Hoist on the Hand Lifting Points (No's 7 & 8) and Motor Guard (No. 9)



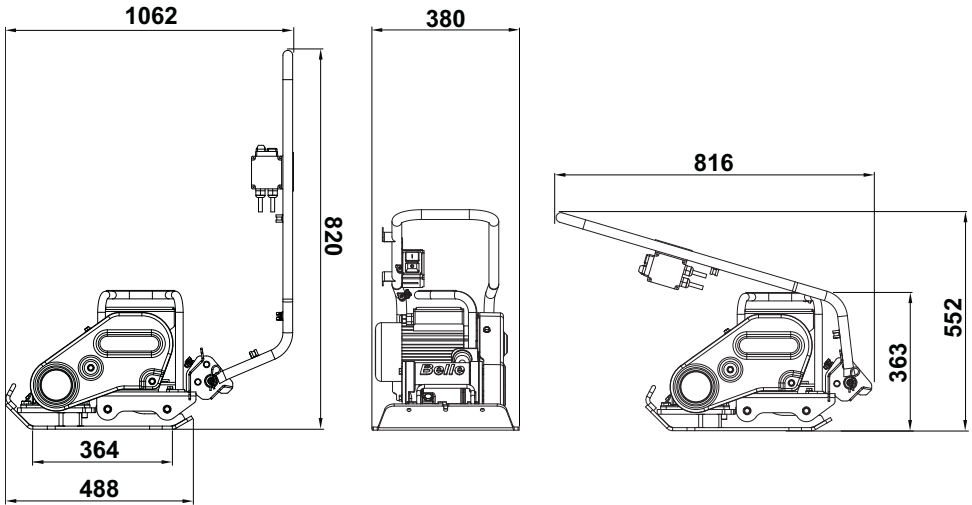
Environment

Safe Disposal.



Instructions for the protection of the environment. The machine contains valuable materials. Take the discarded apparatus and accessories to the relevant recycling facilities.

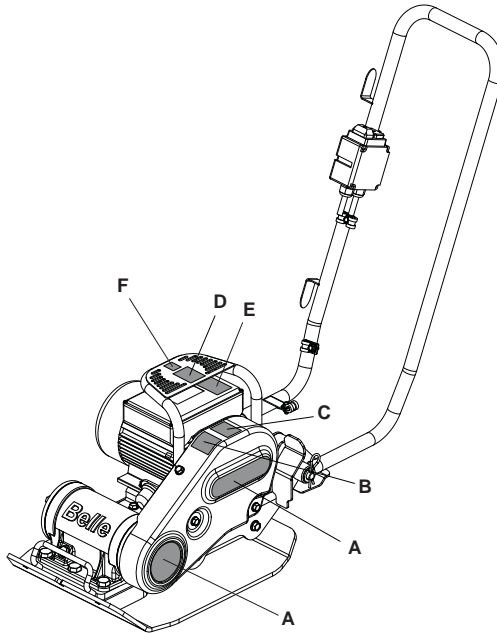
Component	Material
Operator Handle	Steel
Hand Grip	Steel
Base Plate	Steel
Eccentric Weights	Steel
Electric Motor	Steel & Aluminium & Copper
Various Parts	Steel & Aluminium



Model	110v 50Hz	230v 50Hz
Weight (kg)	48.5	48.5
Motor Power (Hp / kW)	0.8 / 0.6	0.75 / 0.55
Motor RPM	2800	2800
Nominal Voltage (v)	110	230
Full Load Current (A)	6.4	2.8
Motor Protection Rating	IP44	IP44
Power Consumption (kW)	0.62	0.62
Vibrator Force (kN)	11	11
Frequency (Hz)	101	101
Minimum Transformer Size (kVA)	3.3	N/A
Maximum Travel Speed (m/min)	18	18
Max. Gradient (°)	20	20
Compaction Force (kg/m ²)	376	354
3 Axis Vibration* (m/sec ²)	4.43	4.43
Usage Time (Mins)	611	611
Sound Power Level (dB(A))	99	99

* Minimum level to EN500 Part 4

- A - Branding Decals
- B - Safety Decal
- C - Noise Decal
- D - Wet Conditions Decal
- E - Motor Safety Decal
- F - No Lifting Decal



A - Branding Decals

Branding Decals to identify the model of machine.

B - Safety Decal (Part No. 19.0.373)



Please Read
Operators
Manual



Wear Protective
Footwear



Wear Ear
Protection



Wear Eye
Protection

C - Noise Decal

Guaranteed Sound Power Level of the machine in dB(A).

D - Wet Conditions Decal

DO NOT use this machine in wet conditions. The electrical components of the machine **MUST NEVER** be exposed to water or liquid of any kind as this could result in serious injury or even death!

E - Motor Safety Decal

DO NOT remove any covers from the motor whilst the still plugged in. This may cause serious injury or even death.

F - No Lifting Decal

DO NOT use the Motor Guard as a Lifting Point.

For your own personal protection and for the safety of those around you, please read and ensure you fully understand the following safety information. It is the responsibility of the operator to ensure that he/she fully understands how to operate this equipment safely. If you are unsure about the safe and correct use of the 'PCEL 400E' Plate compactor, consult your supervisor or Altrad Belle.



CAUTION

Improper maintenance can be hazardous. Read and Understand this section before you perform any maintenance, service or repairs.

- This equipment is heavy and must not be lifted single-handedly, either **GET HELP** or use suitable lifting equipment.
- Cordon off the work area and keep members of the public and unauthorized personnel at a safe distance.
- Personal Protective Equipment (PPE) must be worn by the operator whenever this equipment is being used (see Health & Safety).
- Make sure you know how to safely switch this machine **OFF** before you switch it **ON** in case you get into difficulty.
- Always switch OFF and un-plug the motor before transporting, moving it around the site or servicing it.
- During use the motor becomes very hot, allow the motor to cool before touching it. Never leave the motor running and unattended.
- Never remove or tamper with any guards fitted, they are there for your protection. Always check guards for condition and security, if any are damaged or missing, **DO NOT USE THE MACHINE** until the guard has been replaced or repaired.
- Never pull or guide the machine using the cable and never pull on the cable to disconnect the plug.
- **DO NOT** operate the **MACHINE** when you are ill, feeling tired, or when under the influence of alcohol or drugs.
- Ensure that any trailing cable is protected against damage and not liable to be tripped over or trapped underneath the machine.
- **DO NOT** use the Motor Guard as a Lifting Point.
- **DO NOT** Jet Wash the machine as this could result in serious injury or even death!
- **DO NOT** use this machine in wet conditions. The electrical components of the machine **MUST NEVER** be exposed to water or liquid of any kind as this could result in serious injury or even death!
- **Belle strongly recommends the use of a Residual Current Device on 220/240v electrics.**

Fire Fighting

If your machine catches fire, turn off the electric supply. Using a dry powder or CO2 fire extinguisher put out the fire. If the fire can not be put out, keep away and call the fire brigade. If you are in any doubt about the safety condition of your machine, please consult your nearest Altrad Belle dealer or Altrad Belle direct.

Electric Motors

All portable electric appliances are dangerous if abused. This machine will only operate on one voltage. Check the power supply to ensure it corresponds to the voltage as stamped on the motor. Make sure that the motor is switched off before you plug it into the power supply.

220/240v - Always use a Residual Current Device ("RCD"), (earth leakage trip), plugged directly into the 220/240v socket.
If using an extension cable, plug it directly into the RCD.

110v - When using a portable transformer it must have a minimum output of 3.3kw and be continuously rated.

The symbols on the ON/OFF switch are 0=OFF and I=ON in accordance with international standards.



WARNING

***DO NOT** use an extension cable between the transformer and the power supply. Always ensure that the cable between the 110v machine and transformer is a minimum length of 3 metres. Ensure cable is fitted with cable clip to the operating handle at all times.*

Plugs

The PCEL 400E Plate Compactor is intended for DIY or site usage, the following plug types are supplied fitted to the product:-

110v Motor - 16 amp rated BS4343 plug type.

230v Motor - 13 amp rated 3-pin BS1363 plug type
or 3-pin CEE7/7 Euro plug type.

Fitting a plug - **WARNING THIS PRODUCT MUST BE EARTHED**

IMPORTANT: The wires in the mains lead are coloured in accordance with the following code:

GREEN / YELLOW = EARTH. BLUE = NEUTRAL. BROWN = LIVE

The wire which is coloured Green and Yellow must be connected to the terminal in the plug marked E or coloured Green and Yellow.

The wire which is coloured Brown must be connected to the terminal in the plug marked L or coloured Red. The wire which is coloured Blue must be connected to the terminal in the plug marked N or coloured Black.

Always ensure before connecting to the supply that the supply voltage is the same as the rated voltage marked on the motor

Extension Cables

If you need to use an extension cable it must be no longer than 25 metres (82 feet) in length. The wire section must be 2.5mm² on 230v and 2.5mm² on 110v. Ensure that the extension cable is carefully laid out avoiding liquids, sharp edges and places where vehicles might run over it. Avoid allowing the extension cable to be trapped underneath the plate compactor. Unroll it fully or it will over-heat and could catch fire. Make sure that any extension cable connections are dry and safe.

NVR - No Volt Release

The motors which are fitted to the machine are fitted with a NVR (No Volt Release) Switch. This means that if the power fails, the motor will not automatically restart when the power is restored. The machine will need to be manually restarted.