



Unique portable gantry system that can safely lift up to 5000kg, with manual assembly on just 4 bolts.

500 - 5000KG WLL

1-4 People

92 - 294KG flat pack

EN795

(S) = Small (M) = Medium (I) = Intermediate (T) = Tall (see table)

Innovative, lightweight, portable, safe and very strong, the PORTA-GANTRY lifting system is the number one choice for organisations seeking safe, multiple location lifting solutions and a healthy return on investment. Its unique capabilities have proven to satisfy Finance, Operations, Health & Safety as well as users.



Assembly Video

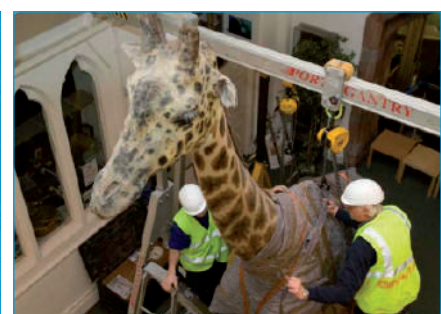


ATEX certified
(Contact REID for details)



PORTA-GANTRY 500 - 5000 Information:

- **GOODS WLL** From 500kg up to 5000kg *(depending on model)*
- **PERSONNEL WLL** Maximum combined personnel lifting capacity up to 2000kg *(depending on model)*
- **3-5 PERSON FALL ARREST** EN795:1997 certified - as part of an EN363 compliant system *(500 & 1000 - 3 persons, 2000, 3000 & 5000 - 5 persons)*
- **ATEX** All models suitable for use in ATEX Zone 2 explosive atmospheres
- **LIGHTWEIGHT & PORTABLE** With easy on-site assembly within manual handling guidelines:
 - 4 portable parts assembled on just 4 bolts
 - Simple 'scissoring' assembly in just 2-3 minutes
- **ERGONOMIC**
 - 360° swivel-locking castors as standard
 - Simple, manual height & span adjustment
 - Ultra-safe captive trolley
 - Ergonomic design of profiles and handles
- **STABLE** Bolted structure, lateral beam and leg bracing features
- **CONFIGURATIONS** Variety of standard configurations available, plus customisation for specific requirements and interchangeable components (subject to WLL rating)



No. 1 in lightweight, portable, safe lifting solutions

An industry 1st - The *PORTA-GANTRY* 5000 is highly portable, safe and manually operated.

(I) = Intermediate (T) = Tall (see table)



The WLL 5000kg *PORTA-GANTRY* is a first in the industry. Following the design principles of all of the range, the *PORTA-GANTRY* 5000kg is highly portable, safe and manually operated.

PORTA-GANTRY 5000 Information:

- **GOODS WLL** Up to 5000kg rating - available in T & I standard frame sizes plus customisation
- **PERSONNEL WLL** Maximum combined personnel lifting capacity of up to 2000kg
- **5 PERSON FALL ARREST** EN795:1997 certified - as part of an EN363 compliant system
- **LIGHTWEIGHT & PORTABLE**
 - 'Wheel barrow' handling in field with just two people required
 - Mechanical assembly aid reducing manual handling (utilises standard chain block)
 - Manual handling compliance: 2 person assembly with mechanical aid, 4 person assembly without tools
- **ERGONOMIC**
 - Stabiliser leg deployment, vertical 'in depot' handling by just one person
 - Geared hand-wheel or optional ratchet operation of beam height adjustment

Notified Body Approval SGS UK (0120); Patented design.



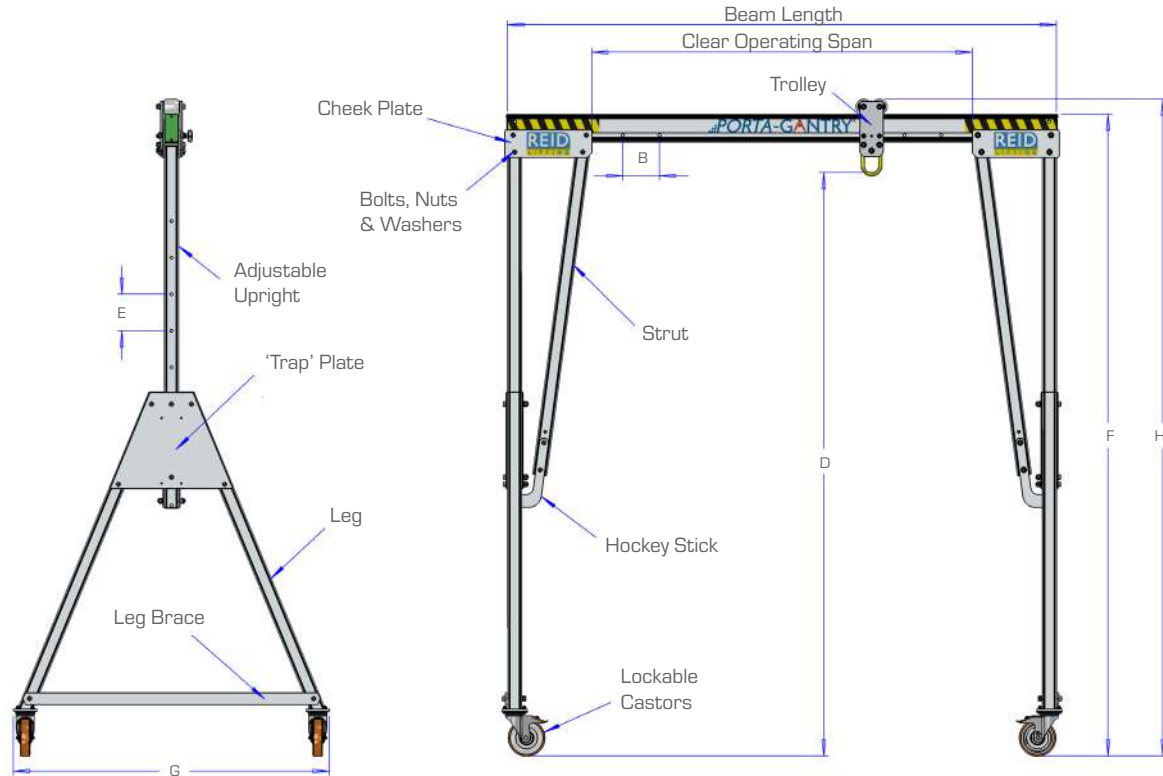
500 -
5000KG
WLL

1-4
People

92 - 294KG
flat pack

EN795

No compromise on strength or safety. Custom configurations are available across the range.



Standard beam lengths

- 2500mm
- 3000mm
- 3920mm
- 4570mm
- 5500mm
- 6000mm
- 8400mm (D section Max)
- 9000mm

Note: Clear Operating Span = Beam Length - 920mm

Each PORTA-GANTRY system comprises:

- 2 x A-Frames (or custom alternatives)
- Trolley - fully encapsulated for safety
- Beam lengths up to 9000mm (WLL dependent)
- Options and accessories to optimise your solution

Beam height adjustment

The height of each gantry beam is easily adjusted by the release of 2 bolts on each upright and can be easily and safely raised into position by increments of 200 or 150mm. To assist with this activity a geared wheel or ratchet system is provided for the larger gantries; manual on smaller frames.



PORTA-GANTRY detailed dimensions (mm)

WLL (kg)	Frame size	D _{max}	E	D _{min}	F	H _{max}	H _{min}	G	A-Frame Weight (kg)	Trolley roller size	Castor Diam
		Max height to lifting eye	Height increment	Min height to lifting eye	Max height to top of beam	Max height to top of roller	Min height to top of roller	Width			
500 / 1000	S	2355	5 x 150	1605	2675	2757	2007	1212	33	82	150
	M	2851	5 x 150	2101	3171	3253	2503	1429	40	82	150
	I	3188	5 x 200	2188	3499	3581	2581	1726	46	82	200
	T	4079	6 x 200	2879	4399	4481	3281	2011	51	82	200
	TC4	4527	6 x 200	3327	4847	4930	3730	2234	80	82	200
	TC3	5027	6 x 200	3827	5347	5430	4230	2557	82	82	200
	TC2	5527	8 x 200	3927	5848	5930	4330	2733	87	82	200
TC1	5829	9 x 200	4029	6149	6231	4431	2733	95	82	200	
2000	S	2355	5 x 150	1605	2675	2757	2007	1212	38	82	150
	M	2851	5 x 150	2101	3171	3253	2503	1429	40	82	150
	I	3188	5 x 200	2188	3499	3581	2581	1726	46	82	200
	T	4079	6 x 200	2879	4399	4481	3281	2011	51	82	200
	TC4	4527	6 x 200	3327	4847	4930	3730	2234	80	82	200
	TC3	5027	6 x 200	3827	5347	5430	4230	2557	82	82	200
	TC2	5527	8 x 200	3927	5848	5930	4330	2733	87	82	200
TC1	5829	9 x 200	4029	6149	6231	4431	2733	95	82	200	
3000	S	2410	5 x 150	1660	2730	2812	2062	1212	55	82	200
	M	2906	5 x 150	2156	3226	3308	2558	1429	60	82	200
	I	3188	5 x 200	2188	3499	3581	2581	1726	70	82	200
	T	4079	6 x 200	2879	4399	4481	3281	2011	82	82	200
	TC4	4527	6 x 200	3327	4847	4930	3730	2234	80	82	200
	TC3	5027	6 x 200	3827	5347	5430	4230	2557	82	82	200
	TC2	5527	8 x 200	3927	5848	5930	4330	2733	87	82	200
5000	I	3181	5 x 200	2181	3592	3717	2717	1736	97*	125	200
	T	4049	6 x 200	2849	4487	4612	3412	2021	106*	125	200
	TC4	4500	6 x 200	3300	4938	5062	3862	2234	85	125	200
	TC3	5000	6 x 200	3800	5438	5562	4362	2557	90	125	200
S & M versions also available as custom systems											
WLL 5000kg dimensions systems are shown using the deeper 'D' section beam											

Beam lengths available up to 9000mm subject to WLL. For further information please contact REID or one of our representatives.

Dimensions use standard **Master Link Trolley**, other options available to increase resulting height of lift (HoL) and to assist with load movement.

* Weight includes stabiliser legs