

Concrete Crusher CC440

The latest generation



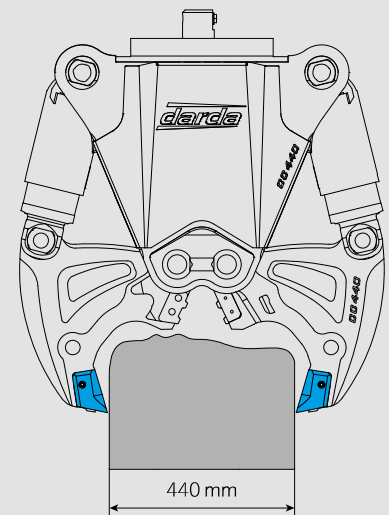
Specifications | Concrete Crusher CC440

Dimensions and weight		
Length x Width x Height ¹	868 x 846 x 330 mm	35 x 33 x 13 in
Jaw opening	440 mm	17 in
Total weight ¹	235 kg	518 lb
Carriers		
Recommended carrier weight, max. ²	2.5 - 4.5 t	5510 - 9920 lb
Recommended Brokk machine	Brokk 170	
Hydraulic connection		
Connection pressure, min.	17.5 MPa (175 bar)	2538 psi
Connection pressure, max.	25 MPa (250 bar)	3626 psi
Operating pressure	50 MPa (500 bar)	7252 psi
Oil flow, max.	100 l/min	27 gal/min
Power output		
Crushing force A, max.	431 kN (44 t)	97000 lbf
Crushing force B, max. (optional)	568 kN (58 t)	128000 lbf
Cutting force, max.	1560 kN (159 t)	350500 lbf
Cutting capacity, max.	1x Ø 30 mm	1 1/4 in
Ordering information		
Article no. ³	9033 0440 80	

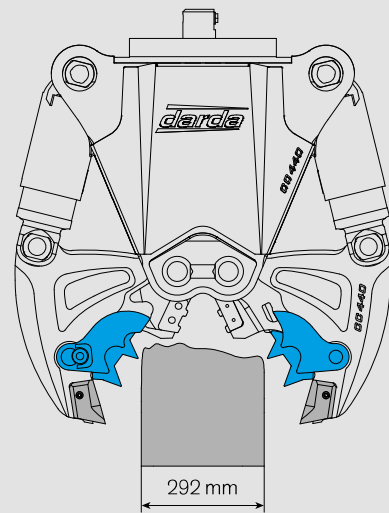
¹ Without support plate

² Depending on the load capacity table of the carrier manufacturer

³ Without attachment



Crusher with standard crushing tips

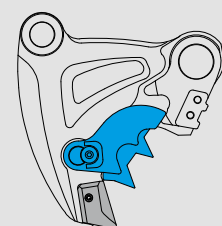


Crusher with additional crushing teeth

Available options



360° Hydraulic rotary drive



Extra crusher tooth