

TAKEUCHI®

HYBRID

TB 210



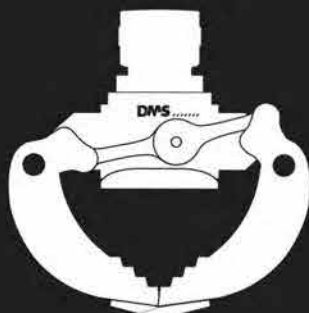
HYBRID EXCAVATOR

The excavator with a second engine for indoor and outdoor use



VARIOUS ATTACHMENTS

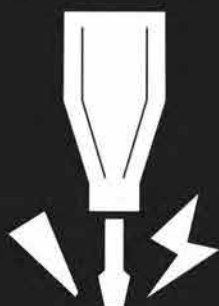
GRAPPLE



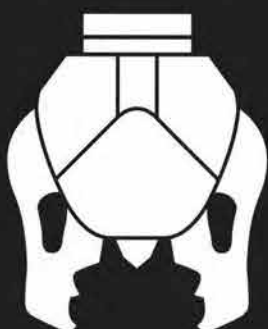
BUCKET



HYDRAULIC BREAKER



CONCRETE CRUSHER



TB 210

HYBRID

The result of a decade of experience

For many years, Takeuchi has been offering hybrid excavators. These compact excavators with a total weight of 0.8t to 3.5t are equipped with an electric motor in addition to the standard diesel engine. With its electric drive, the



hybrid excavator can be used in enclosed spaces.

The TB210 Hybrid is the smallest model in the line of hybrid excavators – built with the latest technology. The operation of the excavator is identical both in diesel and in electric mode: With the ignition key the machine is switched on and off. Even the speed of the electric motor is adjustable via the throttle lever.

Since the electric drive is completely maintenance-free, the operating costs of the TB210 Hybrid are reduced to a minimum.

The result of over ten years of experience building hybrid excavators is a machine that is distinguished by particular efficiency and contributes to your success.



1 EASY TO MAINTAIN



- ▮ No additional maintenance on the electric drive
- ▮ Easier access to the engine compartment through wide-opening hood

2 INTUITIVE OPERATION



- ▮ Switch on and off with the ignition key
- ▮ Power adjustment via the throttle
- ▮ Automatic switch to the electric mode when the power cable is connected

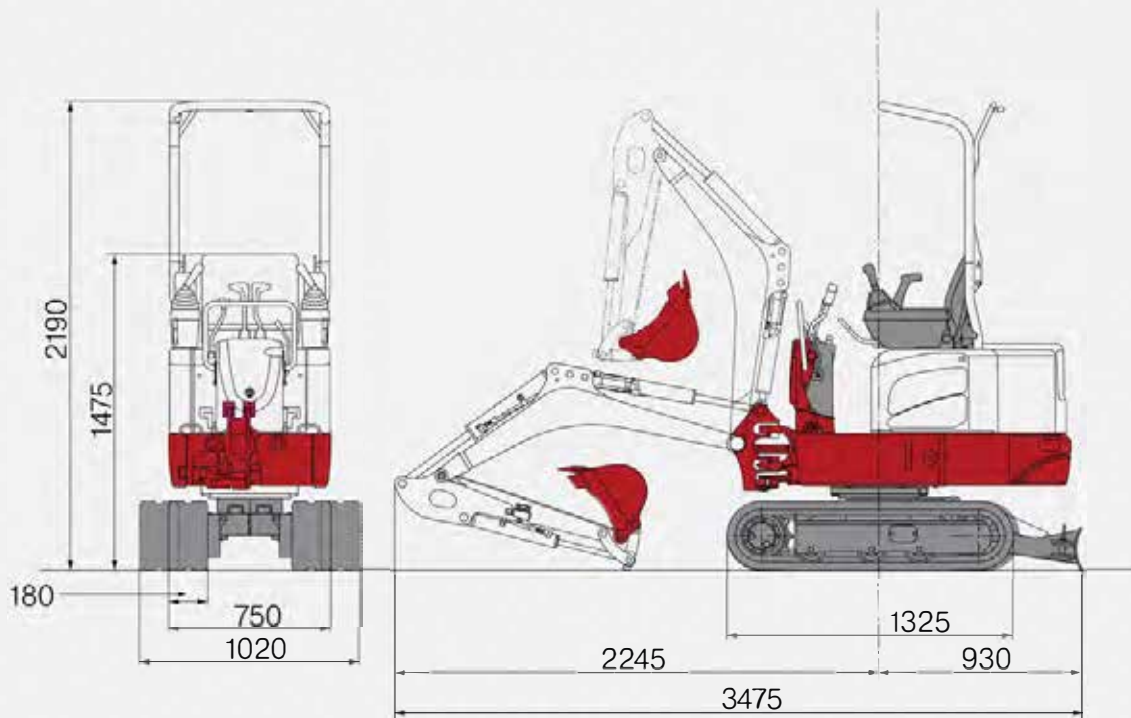
3 MAXIMUM EFFICIENCY



- ▮ Low operating costs in electric mode
- ▮ Multiple application possibilities
 - = high utilization rate
- ▮ Increased performance
- ▮ Temperature-controlled oil cooler



TECHNICAL DATA



- ▮ Total weight: 1310 kg / 2890 lbs
- ▮ Output diesel engine: 8,7 kW / 2200 rpm
- ▮ Output electric motor: 9,1 kW / 2450 rpm
- ▮ Electrical connection: 400 - 480 V / 47-63 Hz / Fused with 32A



ELECTRIC MOTOR

The high voltage connection allows for 100% emission-free use with full functionality and increased performance.

DIESEL ENGINE

The original diesel engine remains intact. Thus, the machine can also be used as usual, and cordless transport to the site is made possible.



TAKEUCHI MFG (UK) LTD
 Head Office
 Unit E2B, John Boyd Dunlop
 Drive
 Kingsway Business Park
 Rochdale
 OL16 4NG